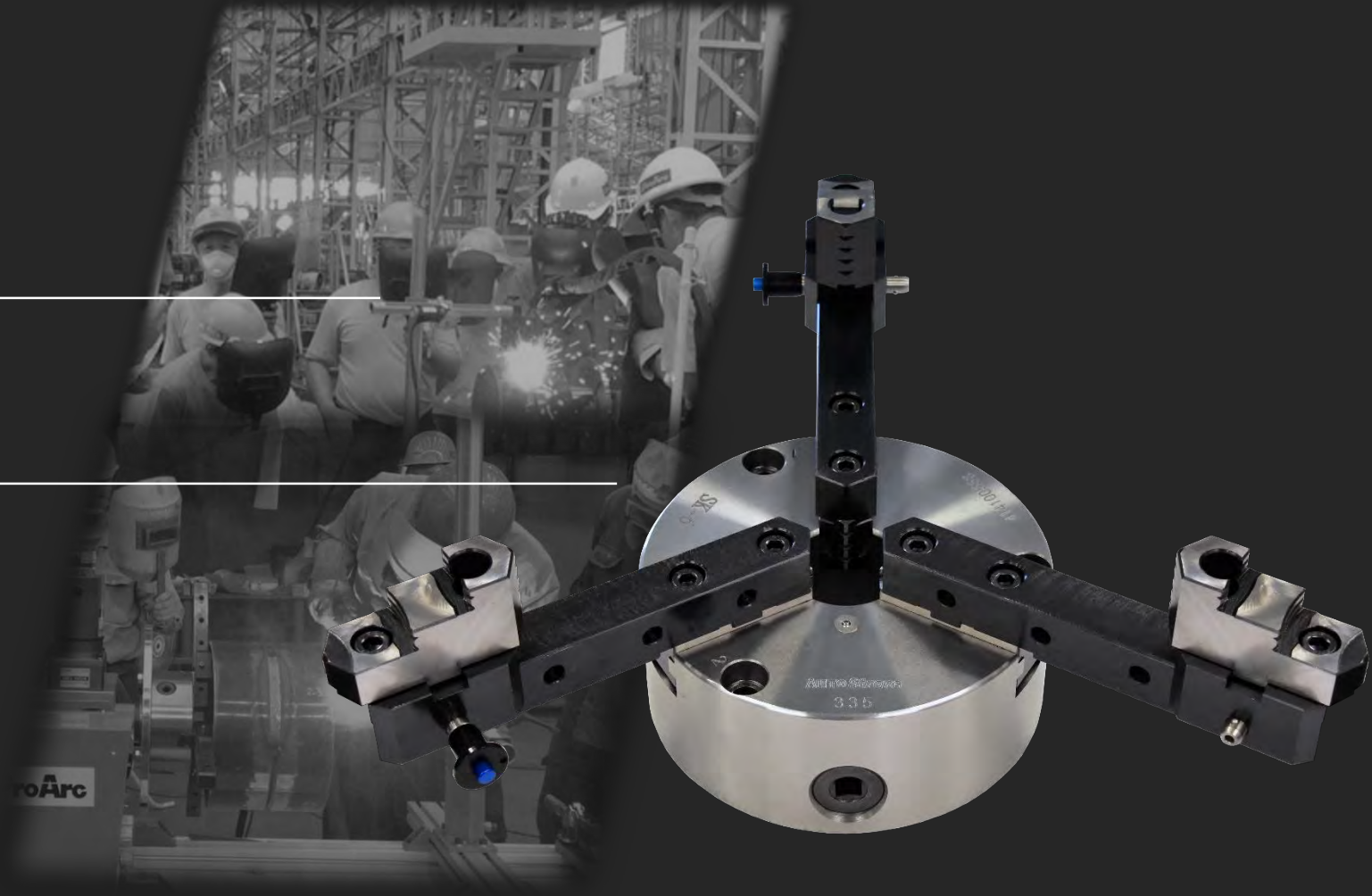


PG Series

PG-150/PG-300/PG-500/PG-750L

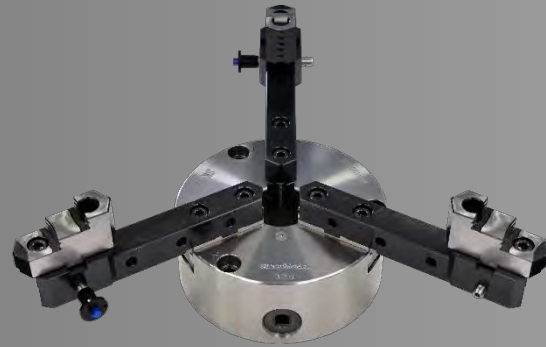


MODELS



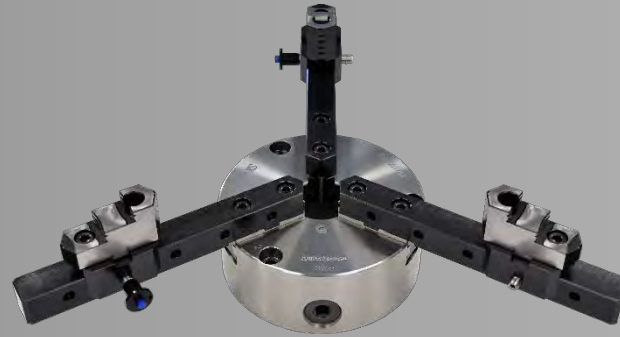
PG-150

PG-150 OD:4-150mm
(Centering Adaptor
Included)



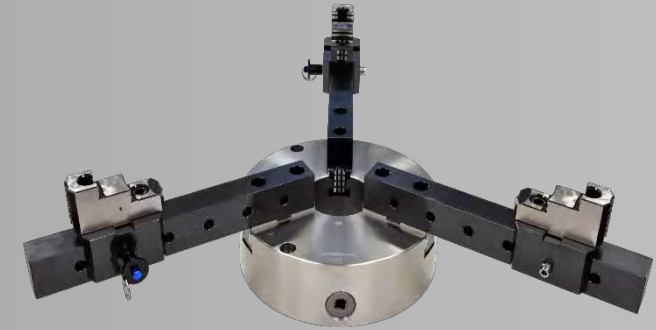
PG-300

PG-300 OD:4-300mm
(Centering Adaptor
Included)



PG-500

PG-500 OD:4-500mm
(Centering Adaptor
Included)



PG-750L

PG-750 OD:15-750mm
(Centering Adaptor
Included)

Specification

MODEL	Unit	PG-150	PG-300	PG-500	PG-750L
Inside Clamp Range	mm	55~150	55~150	55~150	80~250
Outside Clamp Range	mm	4~160	4~300	4~500	15~750
Mounting Holes B.C.D.	mm	147	147	147	250
Screws Size		3-M10	3-M10	3-M10	3-M12
Chuck Jaws		(3) Self-Centering			
Chuck Adjustment		Single Point Screw			
Jaws Attachment		Reversible	N/A	Reversible, Quickset Ball Lock Pin	
Recommended Positioner		PT-100/200	PT-100/200/450	PT-100/200/450	PT-450/750/1500
Net Weight	kg	9.9	13.2	13.3	65
Approx. Shipping Weight	kg	10.7	14	14.5	80

